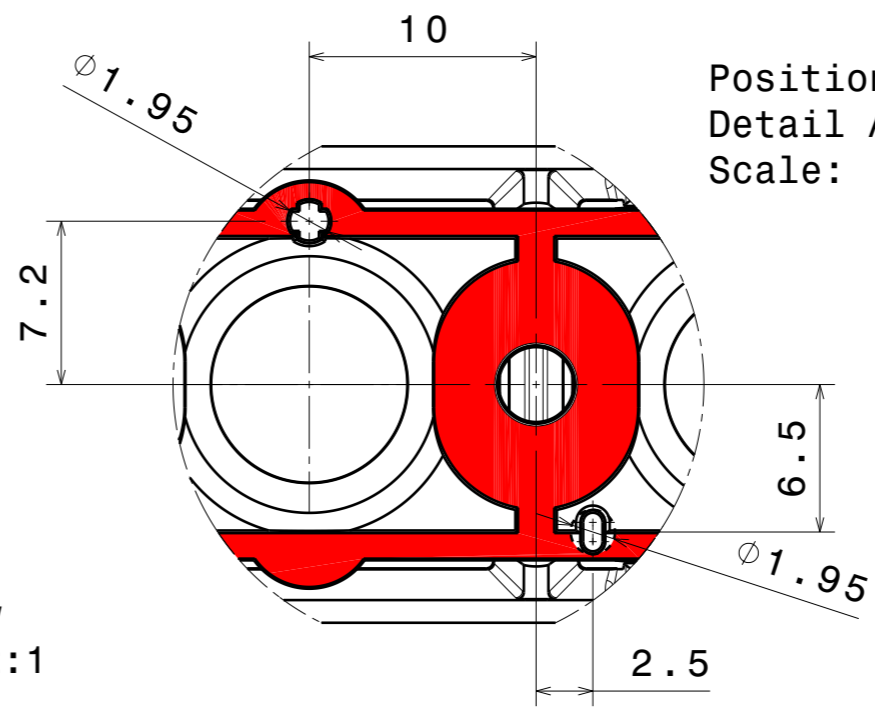
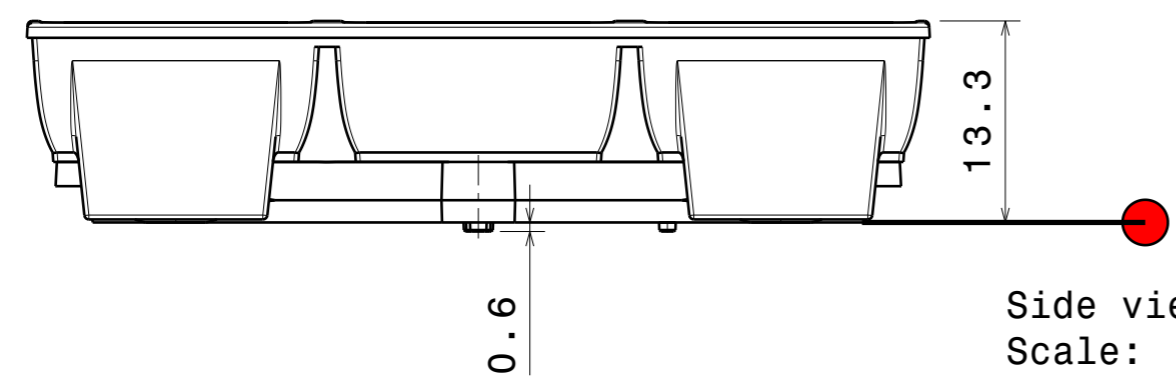


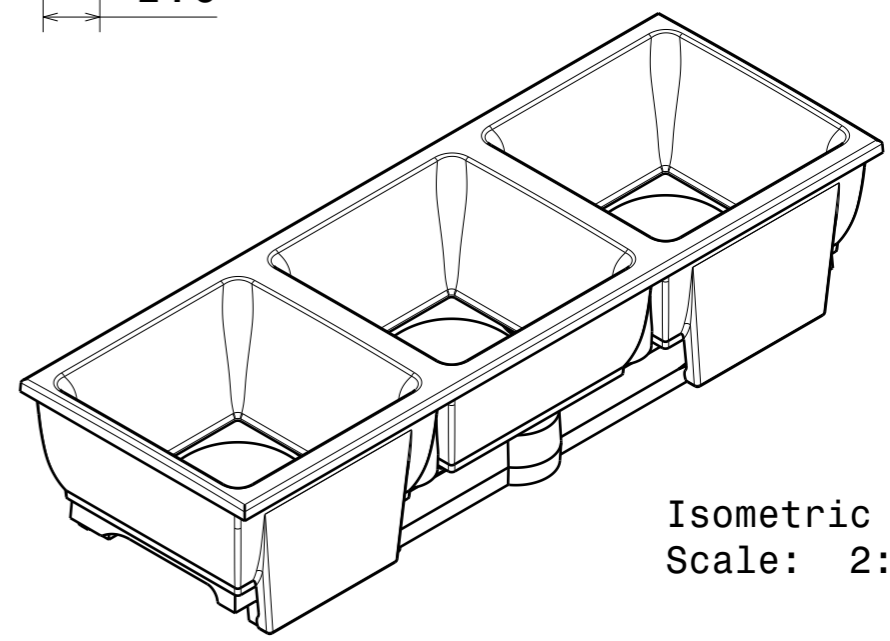
Rear view  
Scale: 2:1



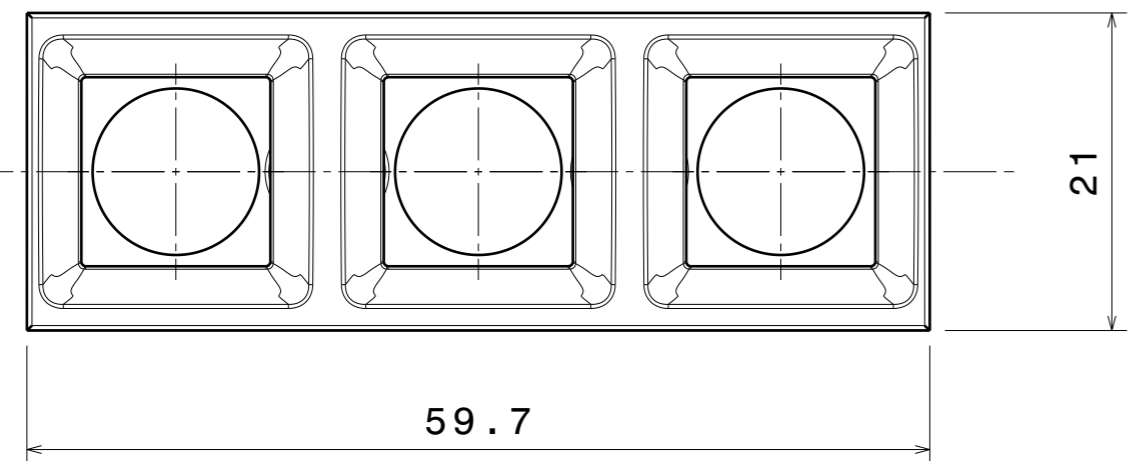
Position pin locations  
Detail A  
Scale: 3:1



Side view  
Scale: 2:1



Isometric view  
Scale: 2:1



Front view  
Scale: 2:1

CN18667\_DAISSY-MINI-3X1-WW

**COMPONENTS**

| INDEX | PART                       | TYPE  | MATERIAL | COLOR / COATING |
|-------|----------------------------|-------|----------|-----------------|
| 1     | C18506_DAISSY-MINI-3X1-WW  | Lens  | PMMA     | clear           |
| 2     | C18508_DAISSY-MINI-3X1-SHD | Shade | PC       | black           |

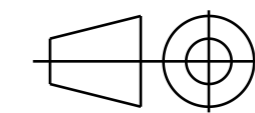
**MECHANICAL DRAWING**

PRODUCT  
**DAISSY-MINI-3X1**



Plastic moulding general tolerances according to DIN 16901-130 and applies if not otherwise shown in the drawing.  
Silicone moulding general tolerances according to ISO 3302-1 Class M3 and applies if not otherwise shown in the drawing.

FIRST ANGLE PROJECTION:



This drawing is the property of LEDiL Oy. It may not be copied or otherwise distributed without prior written permission from LEDiL Oy.

SCALE 2:1

WEIGHT 10 g

A3 SHEET 1/1

**Notes**

- PCB or heatsink level.
- LED location
- Ensure LED fitting from a product specific 3D model available from [www.ledil.com](http://www.ledil.com)
- For more details about installation please see LEDiL Installation Guide on [www.ledil.com](http://www.ledil.com)